



**CSTRT... /CSTDT... / CSTLT... is a temperature transmitter series for measuring temperature in HVAC facilities.**

- \* Room, wall, duct or immersion version available
- \* Accuracy +/- 0,5°C at 20°C
- \* Output signal 0...10 V DC or 4...20 mA
- \* IP30 and IP65
- \* Good long term stability
- \* Supply voltage 24 V AC or 15...35 V DC

## Function

The temperature transmitters have an element which gives a signal that is proportional to the temperature. The measuring signal is converted by the built-in electronics to output signal, 0...10 V or 4...20 mA.

### Mounting accessories

When mounting a duct- or wall-transmitter in contaminated environments the membrane filter should be exchanged for an optional filter with higher specifications.

- Sintered brass filter (HA01002)
- Sintered stainless steel filter (HA01003)
- Teflon filter (HA01004)
- Metal filter (HA01005)

### Supply voltage

The transmitter can be supplied by either 24 V AC or 15...35 V DC (0...10 V models) or 20...35 V DC (4...20 mA models). The transmitter has automatic adaptation to the connected voltage.

## Models

<b>CSTRT</b>	Temperature transmitter for room-mounting	0...10 V IP30
<b>CSTRT-420</b>	Temperature transmitter for room-mounting	4...20 mA, IP30
<b>CSTRT50</b>	Temperature transmitter for wall-mounting	0...10V, IP65
<b>CSTRT50-420</b>	Temperature transmitter for wall-mounting	4...20 mA, IP65
<b>CSTDT200</b>	Temperature transmitter for duct-mounting	0...10 V IP65
<b>CSTDT200-420</b>	Temperature transmitter for duct-mounting	4...20 mA IP65
<b>CSTLT130</b>	Temperature transmitter for immersion-mounting	0...10 V IP65
<b>CSTLT130-420</b>	Temperature transmitter for immersion-mounting	4...20 mA IP65

## Technical data

Supply voltage	24 V AC +/-20% or 15...35 V DC (0...10 V output) 20...35 V DC (4...20 mA output)
Ambient temperature	-5...+50 C°
Connection	Screw terminals max. 1.5 mm
Degree of protection	IP65, (TRT... IP30)
	These products conform with the requirements of European EMC standards CENELEC EN 50081-1 and EN 50082-1 and carry the CE mark.

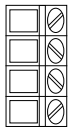


### Sensor

Sensor element	KF6645 Class DIN B IEC 751
Working range	0...+50 C°, (TLT130... 0...+100 C°)
Output signal	0...10 V DC proportional to the working range 0...+50°C, (TLT130... 0...+100 C°) 4...20 mA ...420-versions
Accuracy	+/- 0.5°C (0...10 V) +/- 0.8°C (4...20 mA)
Load impedance	Minimum 10 Ohm, (...420 models maximum 500 Ohm)

## Wiring and dimensions

### CSTRT, CSTRT50, CSTDT200, CSTLT130



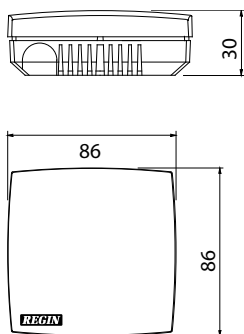
- 1 Supply voltage +
- 2 System neutral
- 3
- 4 Output sign.Temp. 0...10V DC

### CSTRT-420, CSTRT50-420, CSTDT200-420, CSTLT130-420

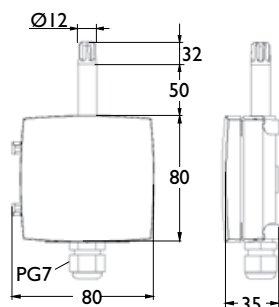


- 1 Supply voltage +
- 2
- 3 Output Temp. 4...20mA

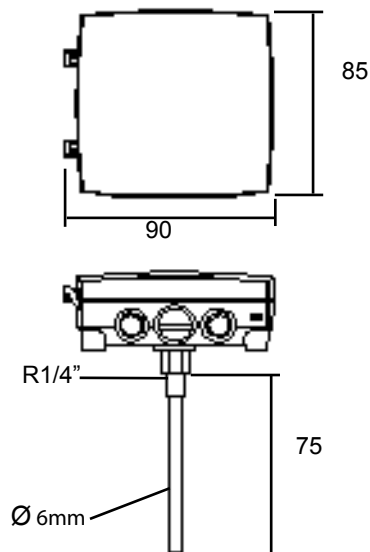
### CSTRT / CSTRT-420



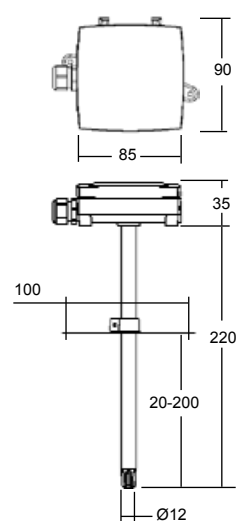
### CSTRT50 / CSTRT50-420



### CSTLT130 / CSTLT130-420



### CSTDT200 / CSTDT200-420



## CS Eng And Trading Pte Ltd

Phone : +6594894652  
 Web : www.cscontrol.com.sg  
 Mail : sales@cscontrol.com.sg

#01-03k Sindo Building66  
 Tannery Lane,Singapore  
 347805



THE CHALLENGER IN BUILDING AUTOMATION